

0.5 mm Thick Thin Type 1.8 cd White Side View Chip LED

GM4BW53340A

Features

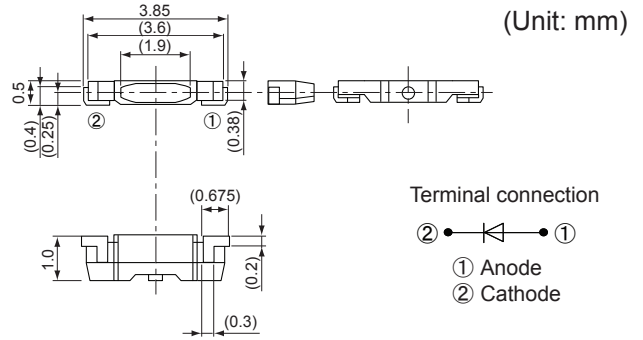
- Thin, high luminosity, white type side view chip LED (Blue LED chip + phosphor)
- Outline dimensions: 3.85 x 1.0 x 0.5 mm

Main Specifications

Ta = 25 °C

Item	Symbol	GM4BW53340A	Condition
Radiation color	—	White	—
Color coordinates	—	(0.30, 0.29)	If = 20 mA
Luminous intensity (TYP.)	Iv	(1 800) mcd	
Forward voltage (TYP.)	V _F	(3.2) V	
Operating temperature (TYP.)	Topr	-30 to +85 °C	—

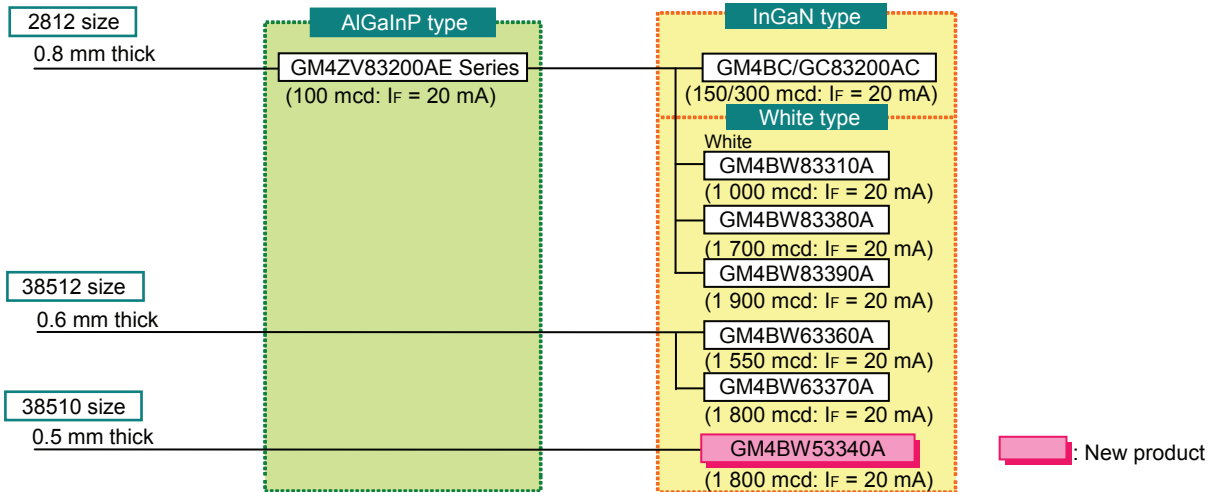
Outline Dimensions



Applications

- Key illumination for mobile phone, LCD backlights

Lineup



■ Under copyright laws, no part of this publication may be reproduced or transmitted in any form or by any means, electronic or mechanical for any purpose, in whole or in part, without the express written permission of SHARP.
 ■ SHARP reserves the right to make changes in the contents described herein at any time without notice. Contact SHARP in order to obtain the latest device specification sheets before using any SHARP device.